

Section 03 – Marine and Mooring Equipment - Sales Item

03040512

Two (2) Used Sea Jet Reels

DETAIL AS FOLLOWS:

System Description

The **Pre-Load Sea Jet** is a new seawater delivery tool designed to eliminate the hazards and inefficiencies associated with current pre-load delivery systems. This simple lightweight system utilizes technologies from other industries to minimize weight and space consumption. High rates of seawater is delivered to pre-load tanks through a unique compact flexible conduit deployed from a simple delivery reel. The pump is plugged into the feeding end of the conduit, lowered into the water by the reel and turned on with soft-start powering. The conduit is a combination of a specially designed high strength, 10" flexible flat hose bundle with integrated shielded power cable. The reel is easily operated by one worker. Pre-Load Sea Jet is simple to maintain and operate by having as few components as possible. Large volumes of preload water can be pumped to the rig safely and quickly.



Features & Benefits

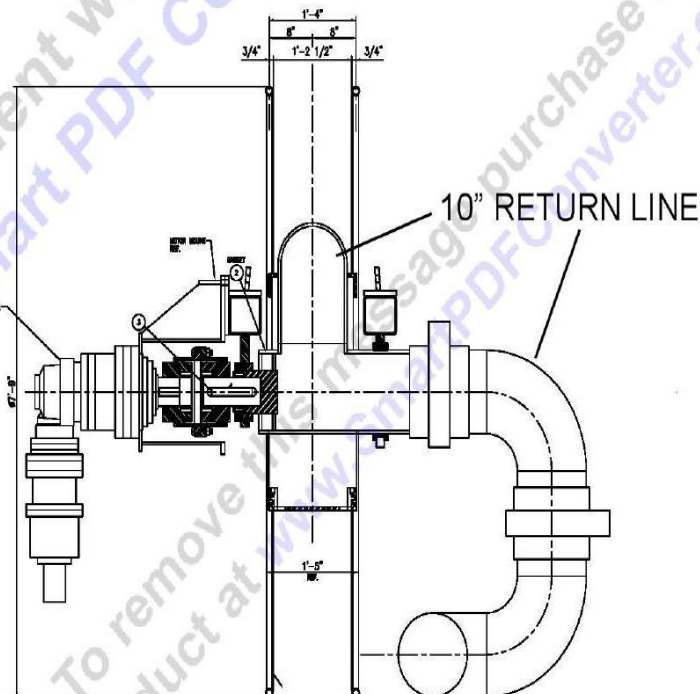
- **SAFE:** Allows safe deployment and extraction of high rate pre-load deepwell pumps.
- **PLUG & PLAY:** Modular design makes switching out components quick and easy.
- **LOAD REDUCTION:** Significantly lighter than any other sea delivery system on the market.
- **SAVES SPACE:** Placed along side the leg well. Leaves room for the spud can while under tow.
- **EASY MAINTENANCE:** Easy to remove and work on any part.
- **EFFECTIVE:** Seawater delivery pump rates can be designed for as high as 8,000gpm.

Deepwell PreLoad Sea Jet System

A Large Load Management Tool

Specifications

- Delivery**.....Up to 8,000 gpm flow rate, depending on head, motor and pump combination.
- Unit Size**Max foot print of 4 ft x 9 ft.
- Unit Weight**6,000 lbs per unit with conduit and pump.
- Pump**18ACH-1 stage pump, blasted and coated inside and out, with bronze impellers, bronze impeller wear rings, 316 stainless steel pump shaft, 316 stainless steel motor coupling, 316 stainless steel impeller lock, collet and bolting.
- Motor**.....High 125 Hp 3phase, 460 volt, 4-pole, Hitachi submersible motor.
- Hose Conduit**High strength, reinforce 10" flex hose with integrated electrical power cable.
- Electrical Cable**...2 awg 3 phase, 460 volt, ASTM B-33 & 172 rated flexi-cable.
- Control Box**.....Pump On/Off switches in control box to control deepwell pump.



**SEA JET
PRE-LOAD**



Notes:

- Available subject to prior sale.
- Located in Singapore.
- Full Documentation Packages are available upon request.